

# **The Development of a Prototype SDI Compliant 2D Cadastral Parcels Model to Produce a Cadastral Dataset for Oman**

**Salim Al Najashi, Oman**

**Key words:** Cadaster, 2D Cadastral Parcels Model, Land Administration, Spatial Data Infrastructure, Land Administration Domain Model

## **SUMMARY**

The National Centre for Statistics & Information (NCSI) is the leading body responsible for the Oman National Spatial Data Infrastructure (ONSDI). In the absence of a national cadaster system for land management, research was undertaken to develop a 2D cadastral parcels model for Oman which is compliant with spatial data infrastructures (SDIs) and in line with the International Standard ISO 19152 Land Administration Domain Model (LADM).

INSPIRE and FGDC standard practices together with the existing cadaster dataset at the Ministry of Housing were used to develop the new model which may be used for both SDI and by local authorities for land management.

---

The Development of a Prototype SDI Compliant 2D Cadastral Parcels Model to Produce a Cadastral Dataset for Oman  
(8568)

Salim Khamis Al Najashi (Oman)

FIG Working Week 2017

Surveying the world of tomorrow - From digitalisation to augmented reality

Helsinki, Finland, May 29–June 2, 2017

# **The Development of a Prototype SDI Compliant 2D Cadastral Parcels Model to Produce a Cadastral Dataset for Oman**

**Salim Al Najashi, Oman**

## **1. INTRODUCTION**

In April 2015, the Oman government appointed the National Centre for Statistics & Information (NCSI) as the leading body responsible for the Oman National Spatial Data Infrastructure (ONSDI) (NCSI 2015). A Technical Committee was formed from different organizations to prepare a data content standard framework. The ONSDI regards Cadastral Parcels as a core theme, central to its mission. The Ministry of Housing, are responsible for cadastre maps, land distribution and land registration in Oman. The country does not have a cadastre system, but it does have a system of compulsory land registration.

The research aims to provide Oman with a 2D cadastral parcels model that is fully compliant with international standards and will serve local authorities well in their management of land resources.

### **1.1 2D Cadastral Parcels Model**

The development of a 2D cadastral parcels data model is essential in order to produce a very high accuracy, large-scale vector database (surveyed at 1:2,500 in urban areas and 1:5000 in rural areas). This seamless database (base map) will be employed to create coherent mapping so that local authorities can use it for land management. The same datasets can be utilized by the SDI authority to generate SDI framework data themes. A cadastral parcels dataset for SDI and a land management system can be created easily because their feature objects (points, lines and polygons) were would have been taken into consideration while producing the base map.

Cadastral datasets encompass a wide range of spatial data entities that are fundamental to many GIS applications. Cadastral data is normally considered a key element of base maps and serves as essential reference data in this context (FGDC 2012). Both FGDC and INSPIRE, have in their reference documents and guidelines, considered cadastral spatial information as reference data for SDI at a national level.

### **1.2 Land Administration Domain Model**

The Land Administration Domain Model (LADM) was published on 1st December 2012 as an international standard (IS) by the International Organization for Standardization as ISO 19152 (ISO 2012). LADM is a descriptive conceptual model which focuses not only on the description of rights to land, but also on the representation of restrictions and responsibilities (RRR) affecting land and the spatial representations of their associated “legal space” (Acinelli, 2014).

The Land Administration Domain Model (LADM) aims to support ‘an extensible basis for efficient and effective cadastral system development based on a Model Driven Architecture (MDA)’, (EC INSPIRE, 2014). In addition, it allows ‘involved parties, both within one country and between

---

The Development of a Prototype SDI Compliant 2D Cadastral Parcels Model to Produce a Cadastral Dataset for Oman  
(8568)

Salim Khamis Al Najashi (Oman)

FIG Working Week 2017

Surveying the world of tomorrow - From digitalisation to augmented reality

Helsinki, Finland, May 29–June 2, 2017

different countries, to communicate based on the shared ontology implied by the model' (EC INSPIRE, 2014).

The core LADM consists of four basic classes (see Figure 1):

1. Class **LA\_Party**. Instances of this class are parties. The definition of 'party' implies that a party may be a natural person (owner), or a group of natural persons, or a non-natural person (Lemmen, Van Oosterom, Eisenhut & Uitermark 2010) (see Figure 2).
2. Class **LA\_RRR**. Instances of subclasses of LA\_RRR are rights, restrictions or responsibilities.
3. Class **LA\_BAUnit**. Instances of this class are basic administrative units (Basic Property Unit). A "Basic Property Unit" (BPU) is defined by UN/ECE, 1996 as "*the extent of land that is one unit of ownership. It may consist of one or more adjacent or geographically separate parcels. A farm, for example, may have a number of fields that are in different locations but together they constitute one BPU. Likewise, a house may have a garage on a separate piece of land*" (Lemmen, Van Oosterom, Eisenhut & Uitermark 2010).
4. Class **LA\_SpatialUnit**. Instances of this class are spatial units (parcels and the legal space of the building and utility networks).

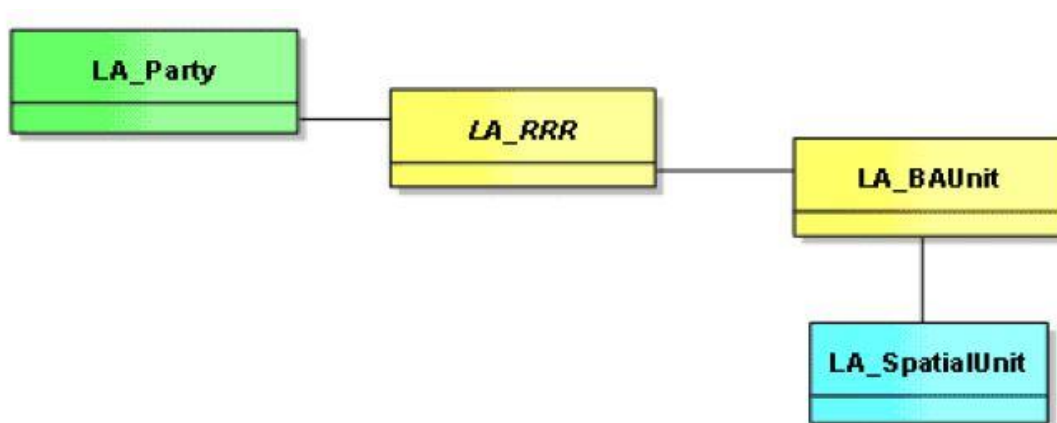


Figure 1 The LADM four basic classes

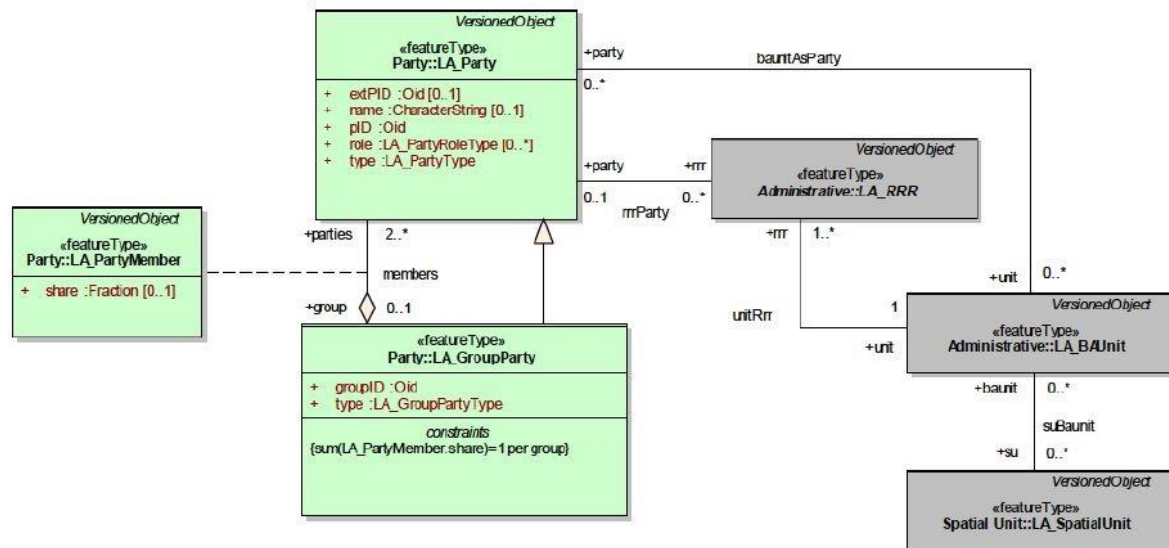


Figure 2 Content of Party Package and association to other basic classes

## 2. METHODOLOGY

To accomplish the research objectives, a study of standard practices related to the development of a cadastral data model was carried out. The following two cadastral documents were utilized in the development of a new 2D cadastral parcels model for SDI and local authorities in Oman:

1. Infrastructure for Spatial Information in Europe (INSPIRE), D2.8.I.6 Data Specification on Cadastral Parcels – Technical Guidelines.
2. Federal Geographic Data Committee (FGDC), FGDC-STD-014.1-2008 Geographic Information Framework Data Content Standard – Part 1: cadastral documents.

The focus of the study was on the framework data content and technical specifications.

An examination of the existing situation regarding the cadastral and land registration in Oman was conducted to determine a base maps and databases used for cadastral mapping and land registration. Emphasis was placed in this context on the content of the database tables. To ascertain the prevailing situation, interviews were held with Ministry of Housing officials in the General Directorate of Town Planning and Survey (GDTPS), as well as the General Directorate of Lands (GDL) and Land Registry Secretariat (LRS).

### 2.1 Standard Practice of 2D Cadastral Parcels Model

#### 2.1.1 INSPIRE – Cadastral Parcel

In 2014, INSPIRE issued the Data Specification on Cadastral Parcels – Technical Guidelines document which described the main geographic feature types of the cadastral parcel dataset. INSPIRE includes four feature type classes, CadastralParcel (areas defined by cadastral registers or The Development of a Prototype SDI Compliant 2D Cadastral Parcels Model to Produce a Cadastral Dataset for Oman (8568)

Salim Khamis Al Najashi (Oman)

FIG Working Week 2017

Surveying the world of tomorrow - From digitalisation to augmented reality

Helsinki, Finland, May 29–June 2, 2017

equivalent), CadastralZoning (intermediary areas (such as municipalities, sections, blocks, ...) used in order to divide national territory into cadastral parcels.), CadastralBoundary (absolute positional accuracy information for the cadastral boundary) and BasicPropertyUnit (basic units of ownership that are recorded in the land books, land registers or equivalent) (EC INSPIRE, 2014). Figure 3 shows the Application Schema of the cadastral parcel with four feature type classes.

The LADM-based version of INSPIRE cadastral parcels, shows that the INSPIRE development fits within the LADM and that there are no inconsistencies. In the INSPIRE context, four classes are relevant to LADM (EC INSPIRE, 2014):

- LA\_Parcel as a basis for CadastralParcel,
- LA\_LAUnit as a basis for BasicPropertyUnit,
- LA\_FaceString as a basis for CadastralBoundary,
- LA\_SpatialUnitSet as a basis for CadastralZoning.

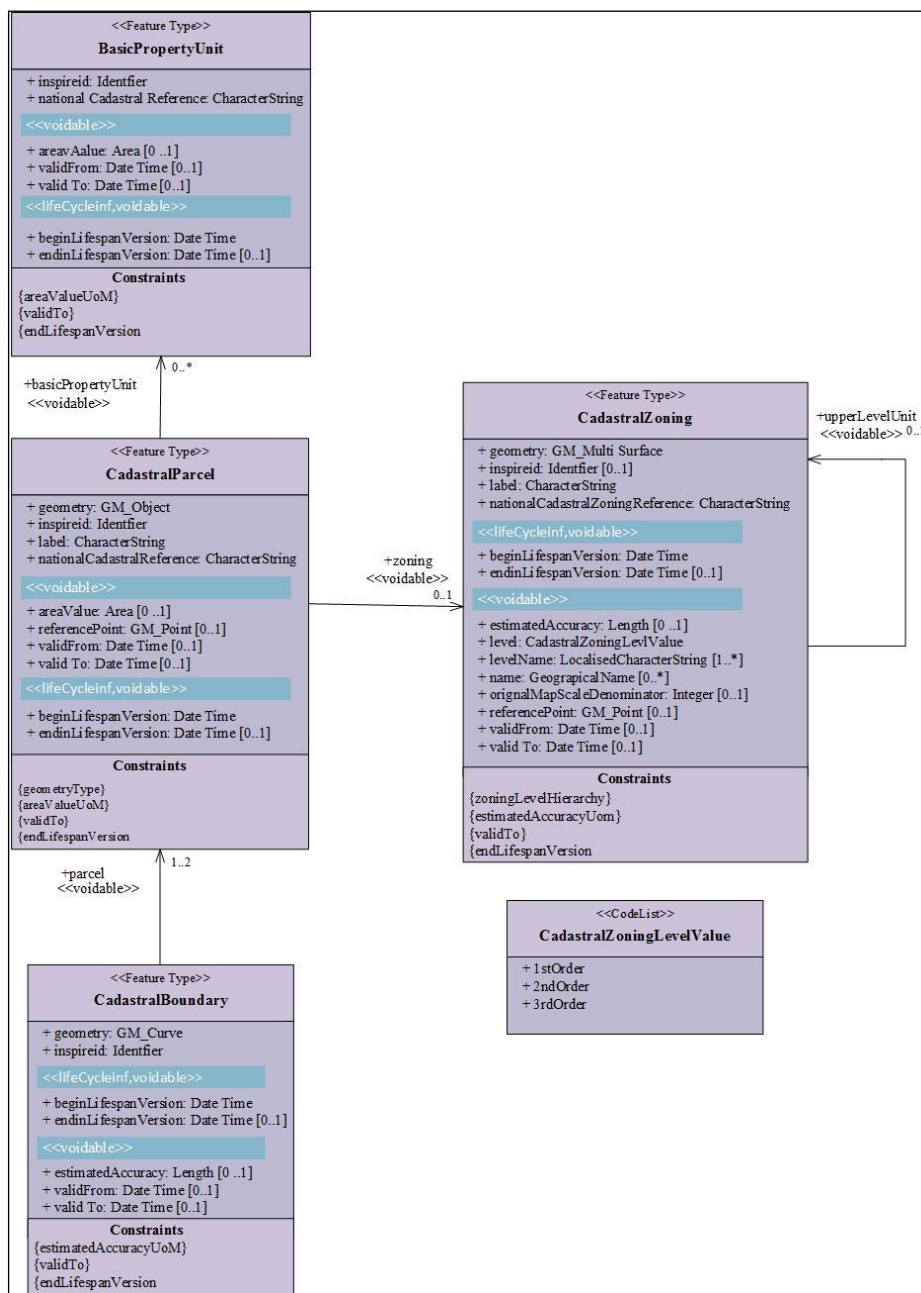


Figure 3 Cadastral Parcel UML class diagram

### 2.1.2 FGDC – Cadastral

In 2008, the FGDC published the Geographic Information Framework Data Content Standard – Part 1: Cadastral document which identified the Parcel as the primary class for the Cadastral part. The five Cadastral classes are, Parcel Class (the main class that conveys cadastral information), Owner Type Class (is a code list of valid values that classify the owner type), Parcel Source Class (groups elements regarding each parcel and its source information), Parcel Geometry Class (represents a choice between a centroid or polygon representation of the parcel) and Parcel Collection Class. The Development of a Prototype SDI Compliant 2D Cadastral Parcels Model to Produce a Cadastral Dataset for Oman (8568)

Salim Khamis Al Najashi (Oman)

FIG Working Week 2017

Surveying the world of tomorrow - From digitalisation to augmented reality

Helsinki, Finland, May 29–June 2, 2017

(introduced for conformance with the other geographic information framework data content standard parts in SDI) (FGDC 2008). Figure 4 shows the Application Schema of the five cadastral classes.

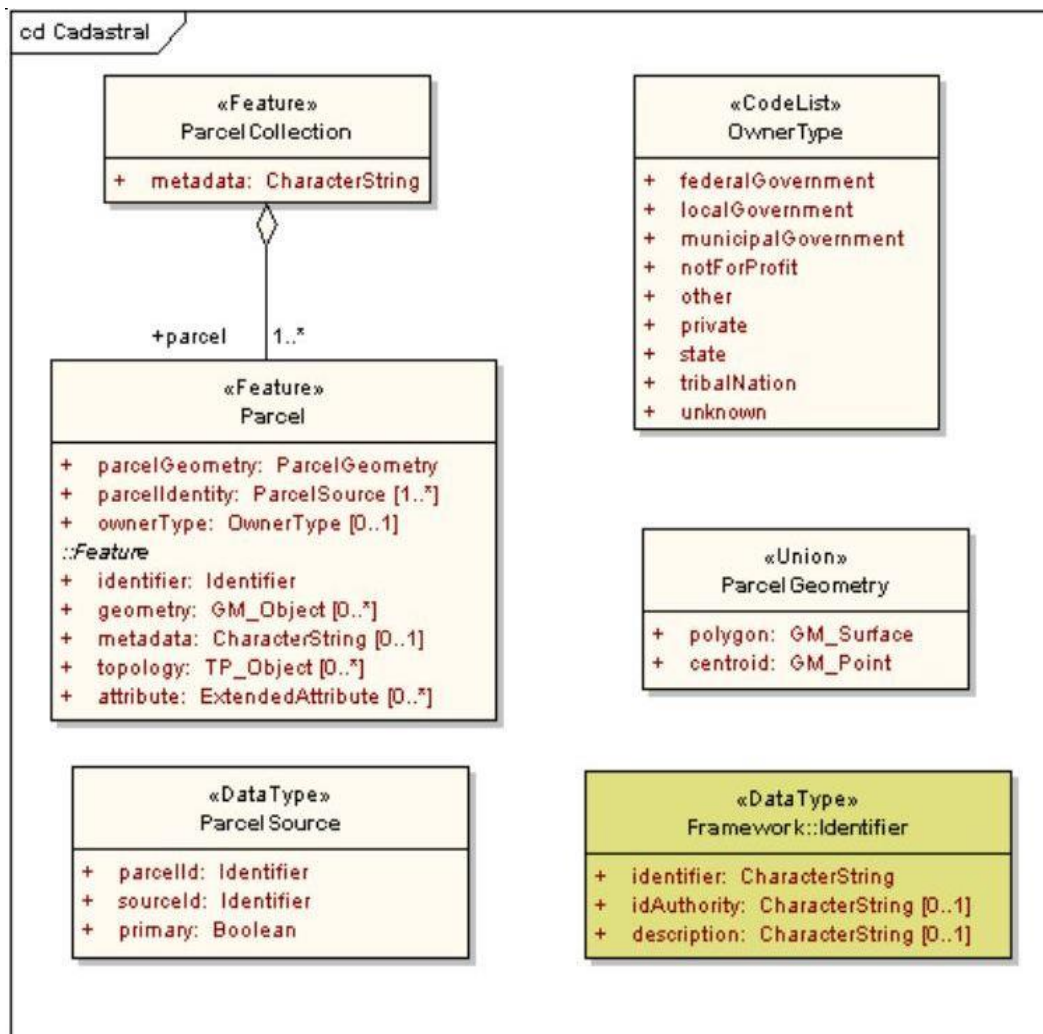


Figure 4 Cadastral UML model

## 2.2 Cadastral System in Oman

Oman does not have a cadastre system, but it does have a system of compulsory land registration. The General Directorate of Town Planning and Survey (GDTPS), General Directorate of Lands (GDL) and Land Registry Secretariat (LRS), under the Ministry of Housing, are responsible for the cadastre maps, land distribution and land registration (Ministry of Legal Affairs 2015).

The land registration in Oman uses fixed boundary system, where the precise line of the boundary is determined by land surveys, which are, in turn, expressed by co-ordinates (O'Brien and Prendergast 2011). According to Article 14 of the Royal Decree no.2/98, "Registration in accordance with the provisions of this System shall be based on accurate geometrical surveying works on which the

---

The Development of a Prototype SDI Compliant 2D Cadastral Parcels Model to Produce a Cadastral Dataset for Oman (8568)

Salim Khamis Al Najashi (Oman)

FIG Working Week 2017

Surveying the world of tomorrow - From digitalisation to augmented reality

Helsinki, Finland, May 29–June 2, 2017

identification of the landed unit, its location, its geometrical shape and whatever it includes shall be performed accordingly”.

An Oracle database (non-spatial) used by the LRS and GDL is available. The LRS database contains 24 main attributes (Table 1). The survey departments (Cadaster) use a Spatial SQL Server database to produce the title site plan (a printed “krookie”) for the planned areas (Press 1997). The GDL (Cadaster) database contains four main tables of attributes used to store data related to site plans (see Tables 4 – 5). Figure 6 shows the title/site plan and the related SQL server database table attributes.

The two databases work separately. They are linked in such a way (partially integrated) that the Survey Department can gain the auxiliary information that is required to issue the title site plan document for the land parcel. At the same time, it enables the LRS and Land Department to obtain the plot number (Parcel Id) and the national cadastral serial reference number.

The survey department (Cadastre) uses digital large-scale maps (Arc/Info and AutoCAD formats 1:5000 tiles) produced by the National Survey Authority (NSA) between 1992 and 1996 for urban areas as base maps (Press 1997). Hard copy maps (mylar drawings) produced in 1982, are still used as legal references for validation after field work to avoid overlaps within property boundaries (land parcels) in congested areas.

AutoCAD software is used for developing new land parcel plans after conducting a detailed survey of the selected site (see Figure 5). New land parcels are generally staked out according to plans, with relative cm-level accuracy. The boundary points are temporarily marked by iron bars in the ground before being delivered to the Omani citizens, as per the coordinates are shown in the title site plan (Figure 6).

Table 1 Main Land Registration System attribute fields:

ID	Field	Type	Description
1	REGN_CODE	varchar (255)	Region Name
2	WLYA_CODE	varchar (255)	Willayat Name
3	VILG_CODE	varchar (255)	Village Name
4	PLAN_NO	varchar 255)	Plan number
5	PLT1_NO	varchar (255)	Plot number1
7	PLT2_NO	varchar (255)	Plot number2
6	HOUS_NO	varchar (255)	House no for social affair
7	ZONE_NO	varchar (255)	Governorate
8	ROFC_NO	number (10)	Ministry of Housing office
9	PUSE	number (10)	Land use
10	PAR_PIN	nvarchar (255)	Serial number of the land
11	PAR_AREA	number (10)	Land area
12	PAR_VALUE	number (10)	Land value

The Development of a Prototype SDI Compliant 2D Cadastral Parcels Model to Produce a Cadastral Dataset for Oman (8568)

Salim Khamis Al Najashi (Oman)

FIG Working Week 2017

Surveying the world of tomorrow - From digitalisation to augmented reality

Helsinki, Finland, May 29–June 2, 2017



13	DOC_NO	number (10)	Document no
14	USER_NO	number (10)	User no
15	LST_UPD	date	Last update
16	CLAM_CODE	number (10)	Reasons of ownership
17	AGREEMENT_NO	varchar 255)	Agreement no
18	SUB_PUSE_CODE	number (10)	Sub land use

Table 2 - Land use attribute fields:

ID	Field	Type	Description
1	ID	Int IDENTITY(11) NOT NULL	Primty Field - Auto-increment
2	Geo_ID	Int	Foreign key - Geometry Table (ID)
3	LandUse	nvarchar (255)	Landuse of the plot
4	Sub_LandUse	nvarchar (255)	Sub-Landuse of the plot
5	User	nvarchar (255)	UserID updated the data
6	In_Timer	datetime	Date and time of data insertion
7	Up_Timer	datetime	Date and time of data update

Table 3 – Geometry attribute fields:

ID	Field	Type	Description
1	ID	int IDENTITY(11) NOT NULL	Primty Field – Auto-increment
2	Status	nvarchar (255)	Status of the land (Active, Deleted)
3	PAIN	nvarchar (255)	Serial number of the land
4	REGION	nvarchar 255)	Arabic Region Name in printed krookie
5	E_REGION	nvarchar (255)	English Region Name in printed krookie
7	WILLAYAT	nvarchar (255)	Arabic Willayat Name in printed krookie
6	E_WILLAYAT	nvarchar (255)	English Willayat Name in printed krookie
7	VILLAGE	nvarchar (255)	Arabic Village Name in printed krookie
8	E_VILLAGE	nvarchar (255)	English Village Name in printed krookie
9	BLOCK	nvarchar (255)	Arabic Block Name in printed krookie
10	E_BLOCK	nvarchar (255)	English Block Name in printed krookie
11	Plot_Num	int	Plot number
12	AREA	float	Area of the land
13	CENTROID	nvarchar (255)	Centroid (X,Y) of the land
14	Users	nvarchar (255)	UserID updated the data
15	GIScoord	geometry	Coordinates of the land
16	Up_Timer	datetime	Date and time of data insertion
17	In_Timer	datetime	Date and time of data update
18	Parent	nvarchar (max)	ID/IDs of related plots (e.g. Merge, Split)

The Development of a Prototype SDI Compliant 2D Cadastral Parcels Model to Produce a Cadastral Dataset for Oman (8568)

Salim Khamis Al Najashi (Oman)

FIG Working Week 2017

Surveying the world of tomorrow - From digitalisation to augmented reality

Helsinki, Finland, May 29–June 2, 2017

Table 4 Condition attribute fields:

ID	Field	Type	Description
1	ID	int IDENTITY(11) NOT NULL	Primty Field – Auto-increment
2	Geo_ID	int	Foreign key – Geometry Table (ID)
3	Floors	nvarchar(255)	Number of floors
4	Height	nvarchar(255)	Land permitted height
5	B_Area	nvarchar(255)	Permitted built area
6	SB_Front	nvarchar(255)	Set Backs – Front
7	SB_Back	nvarchar(255)	Set Backs – Back
8	SB_Side	nvarchar(255)	Set Backs – Sides
9	Parking	nvarchar(255)	Permitted parking type (Inside Land, Outside Plot)
10	Conditions	nvarchar(255)	Any other conditions to the plot
11	Users	nvarchar(255)	UserID updated the data
12	In_Timer	datetime	Date and time of data insertion
13	Up_Timer	datetime	Date and time of data update

Table 5 Title/site plan attributes fields: (Ministry of Housing 2015b)

ID	Field	Type	Description
1	ID	int IDENTITY(11) NOT NULL	Primty Field - Auto-increment
2	Geo_ID	int	Foreign key - Geometry Table (ID)
3	LandUse_ID	int	Foreign key - Landuse Table
4	Condition_ID	int	Foreign key - Condition Table
5	PAIN	nvarchar(255)	Serial Number of the land
6	SCALE_IN	nvarchar(255)	The Inner scale of printed krookie
7	SCALE_OUT	nvarchar(255)	The Out scale of printed krookie
8	BATH	nvarchar(255)	Folder path where the krookie is stored
9	User	nvarchar(255)	UserID updated the data
10	In_Timer	datetime	Date and time of data insertion
11	Up_Timer	datetime	Date and time of data update
12	WILLAYAT	nvarchar(255)	Arabic Willayat Name in printed krookie
13	E_WILLAYAT	nvarchar(255)	English Willayat Name in printed krookie
14	VILLAGE	nvarchar(255)	Arabic Village Name in printed krookie
15	E_VILLAGE	nvarchar(255)	English Village Name in printed krookie
16	BLOCK	nvarchar(255)	Arabic Block Name in printed krookie
17	E_BLOCK	nvarchar(255)	English Block Name in printed krookie

---

The Development of a Prototype SDI Compliant 2D Cadastral Parcels Model to Produce a Cadastral Dataset for Oman (8568)

Salim Khamis Al Najashi (Oman)

FIG Working Week 2017

Surveying the world of tomorrow - From digitalisation to augmented reality

Helsinki, Finland, May 29–June 2, 2017

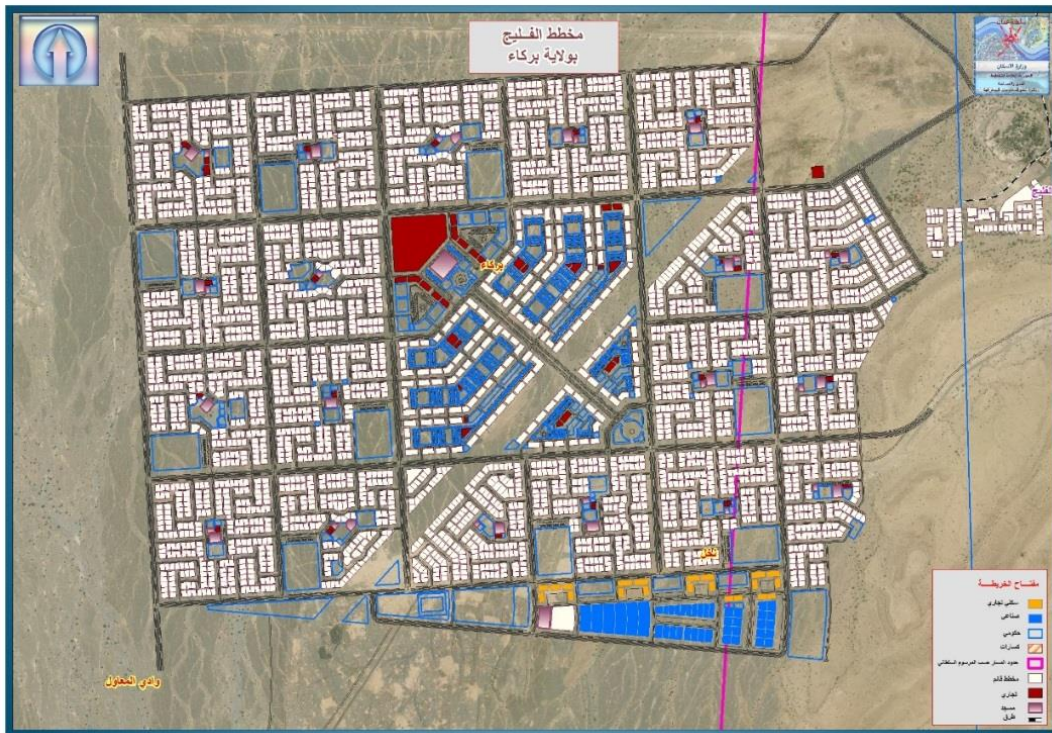


Figure 5 New proposal plan for specific area

The Development of a Prototype SDI Compliant 2D Cadastral Parcels Model to Produce a Cadastral Dataset for Oman (8568)

Salim Khamis Al Najashi (Oman)

FIG Working Week 2017

Surveying the world of tomorrow - From digitalisation to augmented reality

Helsinki, Finland, May 29–June 2, 2017



الرقم المسلسل : 01-03-002-04-4866 رقم الخريطة : 642-586 الولاية : ALAMRAT المدينة - القرية : MADINAT AL NAHDHAH		رسم مساحي لقطعة أرض بيانات القطعة																																		
الموقع العام : 1: 2000		PLOT NO : 4866 BLOCK : PHASE 4 AREA : 613 SQ. M.																																		
		القطعة : ٤٨٦٦ المرحلة : ٤ المساحة : ٦١٣ متر مربع																																		
الإسقاط : بدر		الاستخدام : سكني فقط USE: Residential Only																																		
الإرتفاع : ٨ م (ثمانية أمتار) عدد الطوابق : (طابقين) نسبة البناء : ٤٠٪ (اربعون بالمائة) الإرتدادات :		HT: 8 m. (Eight)m FLOORS : (2 Floors) B. AREA : 40% SETBACKS :																																		
الأمام : ٥ الخلف : ٣ الجانبان : ٢ موقف : داخل حدود القطعة شروط أخرى :		FRONT : 5 BACK : 3 SIDE : 2 PARKING : Inside CONDITIONS :																																		
WGS 84 40N		التاريخ :																																		
<table border="1"> <thead> <tr> <th>LINE</th> <th>EASTING</th> <th>NORTHING</th> <th>DIST</th> </tr> </thead> <tbody> <tr><td>1</td><td>2</td><td>642183.29</td><td>2586311.68</td><td>30.00</td></tr> <tr><td>2</td><td>3</td><td>642153.69</td><td>2586306.81</td><td>15.84</td></tr> <tr><td>3</td><td>4</td><td>642151.11</td><td>2586322.43</td><td>7.07</td></tr> <tr><td>4</td><td>5</td><td>642155.24</td><td>2586328.18</td><td>25.00</td></tr> <tr><td>5</td><td>1</td><td>642179.90</td><td>2586332.24</td><td>20.84</td></tr> <tr><td colspan="4">AREA = 613 SQ.m</td></tr> </tbody> </table>		LINE	EASTING	NORTHING	DIST	1	2	642183.29	2586311.68	30.00	2	3	642153.69	2586306.81	15.84	3	4	642151.11	2586322.43	7.07	4	5	642155.24	2586328.18	25.00	5	1	642179.90	2586332.24	20.84	AREA = 613 SQ.m				1: 800 	
LINE	EASTING	NORTHING	DIST																																	
1	2	642183.29	2586311.68	30.00																																
2	3	642153.69	2586306.81	15.84																																
3	4	642151.11	2586322.43	7.07																																
4	5	642155.24	2586328.18	25.00																																
5	1	642179.90	2586332.24	20.84																																
AREA = 613 SQ.m																																				
CENTEROID: 642167.093,2586319.391		المصاح : التوقيع : HUSSAIN ALI التاريخ : 21/06/2015 الرسم : التاريخ : ٢٠١٥/٧/٢١ التدقيق : التاريخ : المدير : MUBARAK KHAMIS																																		
الملاحظات : OLD PAIN : 1-43-089-01-868 OLD P. NO : 868 OLD BLOCK : PHASE 14/1		دائرة المساحة : ختم الدائرة :																																		

- Geometry attribute fields
- Land use attribute fields
- Title/site plan attributes fields
- Condition attribute fields

Figure 6 Title site plan and related SQL server database tables

The Development of a Prototype SDI Compliant 2D Cadastral Parcels Model to Produce a Cadastral Dataset for Oman (8568)

Salim Khamis Al Najashi (Oman)

FIG Working Week 2017

Surveying the world of tomorrow - From digitalisation to augmented reality

Helsinki, Finland, May 29–June 2, 2017

### 3. RESULTS AND DISCUSSION

#### 3.1 New 2D Cadastral Parcels Model

The study of the existing cadastral dataset in the Ministry of Housing along with the SDI cadastral parcels data content and (its) specification on the national reference framework in INSPIRE and FGDC revealed an absence of seamless data available at the national level in Oman. The available features were not structured according to a national hierarchical structure. The available features of cadastral parcels are exclusively represented by points and lines and do not include any unique feature identifier code.

The new 2D cadastral parcels model was developed to establish a common baseline for the semantic content of the cadastral databases which is compliant with the SDI and in line with LADM. The Basic Administrative Unit (LA\_BAUnit class) will be called **Basic Property Unit** which is associated with LA\_Party and Administrative LA\_RRR. A natural person or owner will be represented as a separate object type (belonging to the LA\_Party Class), see Figure 2.

The principles of design for the 2D cadastral parcels conceptual model are as follows:

1. It should be as simple as possible in order to be useful in practice.
2. It should cover the basic data related to the existing cadastral and land registration in the Ministry of Housing. It should also consider the requirements of international best practice available for 2D cadastral for SDI.
3. It should be compatible with Land Administration Domain Model (LADM).

The proposed 2D cadastral (parcel's) conceptual model, with full comprehensive of the attribute tables (6 – 14), was sent to the Ministry of Housing for comments. They were satisfied and believed that the overall model covered all cadastral features and registration requirements. However, they noticed that the attribute fields pertaining to planning conditions, shown in Table 4 were not included in the model as a feature type. Figure 7 shows a UML class diagram of the Cadastral Parcels first model application schema.

Table 6 – Cadastral Parcel attributes:

Name	Domain	Definition
Geometry		Geometry of the cadastral boundary.
Parcelid		A unique parcel identifier for the parcel as defined by the response body.
Label		Text commonly used to display the cadastral parcel identification.
National Cadastral Reference		Thematic identifier at national level, generally the full national code of the basic property unit.
Area Parcel		Registered area value giving quantification of the area projected on the horizontal plane of the cadastral parcels composing the basic property unit.
Reference Point		A point within the cadastral parcel. Can be a parcel centroid.
Land Use Code	Land Use	Land use classification code.
Valid From		Official date and time the basic property unit was/will be legally established.
Valid To		Date and time at which the basic property unit legally ceased/will

The Development of a Prototype SDI Compliant 2D Cadastral Parcels Model to Produce a Cadastral Dataset for Oman (8568)

Salim Khamis Al Najashi (Oman)

FIG Working Week 2017

Surveying the world of tomorrow - From digitalisation to augmented reality

Helsinki, Finland, May 29–June 2, 2017

		cease to be used.
Begin Life span Version		Date and time at which this version of the spatial object was inserted or changed in the spatial dataset.
End Life span Version		Date and time at which this version of the spatial object was superseded or retired in the spatial data set.

Table 7 – CadastralZoning attributes:

Name	Domain	Definition
Geometry		Geometry for the cadastral zoning.
Parceled		A unique parcel identifier for the parcel as defined by the response body.
Label		Text commonly used to display the cadastral zoning identification.
National Cadastral Zoning Reference		Thematic identifier at national level, generally the full national code of the cadastral zoning.
Begin Lifespan Version		Date and time at which this version of the spatial object was inserted or changed in the spatial dataset.
End Lifespan Version		Date and time at which this version of the spatial object was superseded or retired in the spatial data set.
Estimated Accuracy		The estimated absolute positional accuracy of cadastral parcels within the cadastral zoning in the used SDI's coordinate reference system.
Level	Level Value	Level of the cadastral zoning in the national cadastral hierarchy.
Level Name		Name of the level of the cadastral zoning in the national cadastral hierarchy.
Name		Name of the cadastral zoning.
Original Map Scale Denominator		The denominator in the scale of the original paper map (if any) to whose extent the cadastral zoning corresponds.
Reference Point		A point within the cadastral zoning.
Valid To		Date and time at which the basic property unit legally ceased/will cease to be used.
Valid From		Official date and time the cadastral zoning was/will be legally established.

Table 8 – CadastralBoundary attributes:

Name	Domain	Definition
Parcelid		A unique parcel identifier for the parcel as defined by the response body.
Geometry		Geometry of the cadastral boundary.
Estimated Accuracy		Estimated absolute positional accuracy of the cadastral boundary in the used SDI's coordinate reference system.
Valid From		Official date and time the basic property unit was/will be legally established.
Valid To		Date and time at which the basic property unit legally ceased/will cease to be used.
Begin Life span Version		Date and time at which this version of the spatial object was inserted or changed in the spatial dataset.
End Life span Version		Date and time at which this version of the spatial object was superseded or retired in the spatial data set.

Table 9 – PropertyRight attributes:

Name	Domain	Definition
Parceled		A unique parcel identifier for the parcel as defined by the response body.

The Development of a Prototype SDI Compliant 2D Cadastral Parcels Model to Produce a Cadastral Dataset for Oman (8568)

Salim Khamis Al Najashi (Oman)

FIG Working Week 2017

Surveying the world of tomorrow - From digitalisation to augmented reality

Helsinki, Finland, May 29–June 2, 2017

National Cadastral Reference		Thematic identifier at national level, generally the full national code of the basic property unit.
Area Parcel		Registered area value giving quantification of the area projected on the horizontal plane of the cadastral parcels composing the basic property unit.
Owner ID		A unique identification number for Omani citizens and equivalent with other nations.
Owner Name		Name of the parcels owners
Owner Type	Owner Type	Owner type is the classification of the owner.
Valid From		Official date and time the basic property unit was/will be legally established.
Valid To		Date and time at which the basic property unit legally ceased/will cease to be used.
Begin Lifespan Version		Date and time at which this version of the spatial object was inserted or changed in the spatial dataset.
End Lifespan Version		Date and time at which this version of the spatial object was superseded or retired in the spatial data set.

Table 10 – LandUse Code table

Name	Definition
residential.	Residential land use
Commercial	Commercial land use
Industrial	Industrial land use
Agriculture	Agriculture land use
Tourist	Tourist land use
governmental	Governmental land use
Diplomatic	Diplomatic land use
Other	Other lands use

Table 11 – BasicPropertyUnit attributes:

Name	Domain	Definition
Parcelid		A unique parcel identifier for the parcel as defined by the response body.
National Cadastral Reference		Thematic identifier at national level, generally the full national code of the basic property unit.
Area Parcel		Registered area value giving quantification of the area projected on the horizontal plane of the cadastral parcels composing the basic property unit.
Owner Name		Name of the parcels owners
Valid From		Official date and time the basic property unit was/will be legally established.
Valid To		Date and time at which the basic property unit legally ceased/will cease to be used.
beginLifespan Version		Date and time at which this version of the spatial object was inserted or changed in the spatial dataset.
endLifespan Version		Date and time at which this version of the spatial object was superseded or retired in the spatial data set.

Table 12 – CadastralZoning Level Value table:

Name	Definition
Governorate	Governorate zone where the parcels is a located

The Development of a Prototype SDI Compliant 2D Cadastral Parcels Model to Produce a Cadastral Dataset for Oman (8568)

Salim Khamis Al Najashi (Oman)

FIG Working Week 2017

Surveying the world of tomorrow - From digitalisation to augmented reality

Helsinki, Finland, May 29–June 2, 2017

Willayat	Willayat zone where the parcels is a located
Village	Village zone where the parcels is a located
Phase	Phase zone where the parcels is a located in the plan

Table 13 – OwnerType table:

Name	Definition
State Government	The Omani state government and its agencies and departments
Company	A company or multiple companies
Private	An individual, or group of individuals
Other	Any other organization
Unknown	The type of ownership is not known

Table 14 – OwnerName table:

Name	Definition
Owner Name	Owner name
Owner Address	Owner address

The planning conditions are a part of the administrative package concerning the abstract class LA\_RRR, Restriction in LADM. The planning conditions are very important because they act as a guide for land restriction it is therefore necessary to include the planning conditions in the proposed new 2D cadastral parcel model. The feature type Restriction Planning Condition will be added to the model.

***Restriction Planning Condition:***

This feature type is related to the land parcel’s administrative restriction conditions. These conditions were set by the Ministry of Housing to encourage the owner of the land to refrain from making alterations within the parcels. The conditions cover land use and specify a maximum height, parking, the number of floors, the percentage of the built-up area of the ground and side deflections from the parcel boundary when under construction. Table 15, shows the recommended attributes for the Restriction Planning Condition.

Table 15 – Restriction Planning Condition attributes.

Name	Domain	Definition
Parcelid		A unique parcel identifier for the parcel as defined by the response body.
nationalCadastralReference		Thematic identifier at national level, generally the full national code of the basic property unit.
areaParcel		Registered area value giving quantification of the area projected on the horizontal plane of the cadastral parcels composing the basic property unit.
landUse		Type of parcels land use.
height		Maximum height of the building within the parcel.
Floors		Number of floors.
built-upArea		Percentage of building area of ground of the parcels
setBacks		Side deflections from the parcel boundary when construction.
Parking		Parking condition within the parcel.
Others		Others special condition maybe require
validFrom		Official date and time the basic property unit was/will be legally

The Development of a Prototype SDI Compliant 2D Cadastral Parcels Model to Produce a Cadastral Dataset for Oman (8568)

Salim Khamis Al Najashi (Oman)

FIG Working Week 2017

Surveying the world of tomorrow - From digitalisation to augmented reality

Helsinki, Finland, May 29–June 2, 2017



		established.
validTo		Date and time at which the basic property unit legally ceased/will cease to be used.
beginLifespanVersion		Date and time at which this version of the spatial object was inserted or changed in the spatial dataset.
endLifespanVersion		Date and time at which this version of the spatial object was superseded or retired in the spatial data set.

The UML in Figure 8 shows the class diagram of the cadastral parcel's revised model application schema after amendments made following the ministry's feedback. In the revised 2D cadastral parcel model, the two Administrative Packages, Right (PropertyRight) and Restriction (RestrictionPlanningCondition) of the LADM are presented. The third package (Responsibility) was not considered in the revised model, because it is a different system, which will be incorporated in another database.

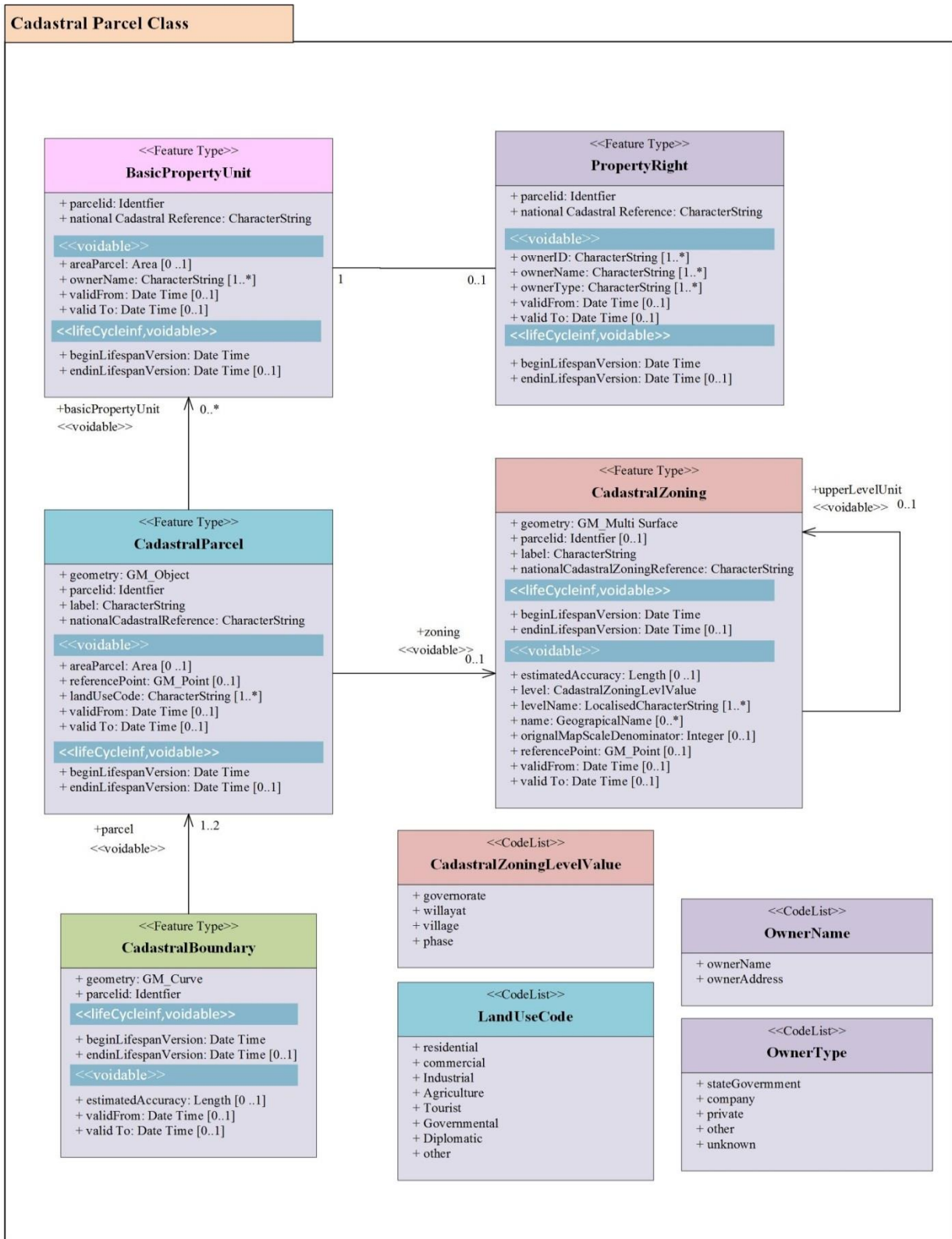


Figure 7 UML class diagram of the Cadastral Parcels first model application schema

The Development of a Prototype SDI Compliant 2D Cadastral Parcels Model to Produce a Cadastral Dataset for Oman (8568)

Salim Khamis Al Najashi (Oman)

FIG Working Week 2017

Surveying the world of tomorrow - From digitalisation to augmented reality

Helsinki, Finland, May 29–June 2, 2017

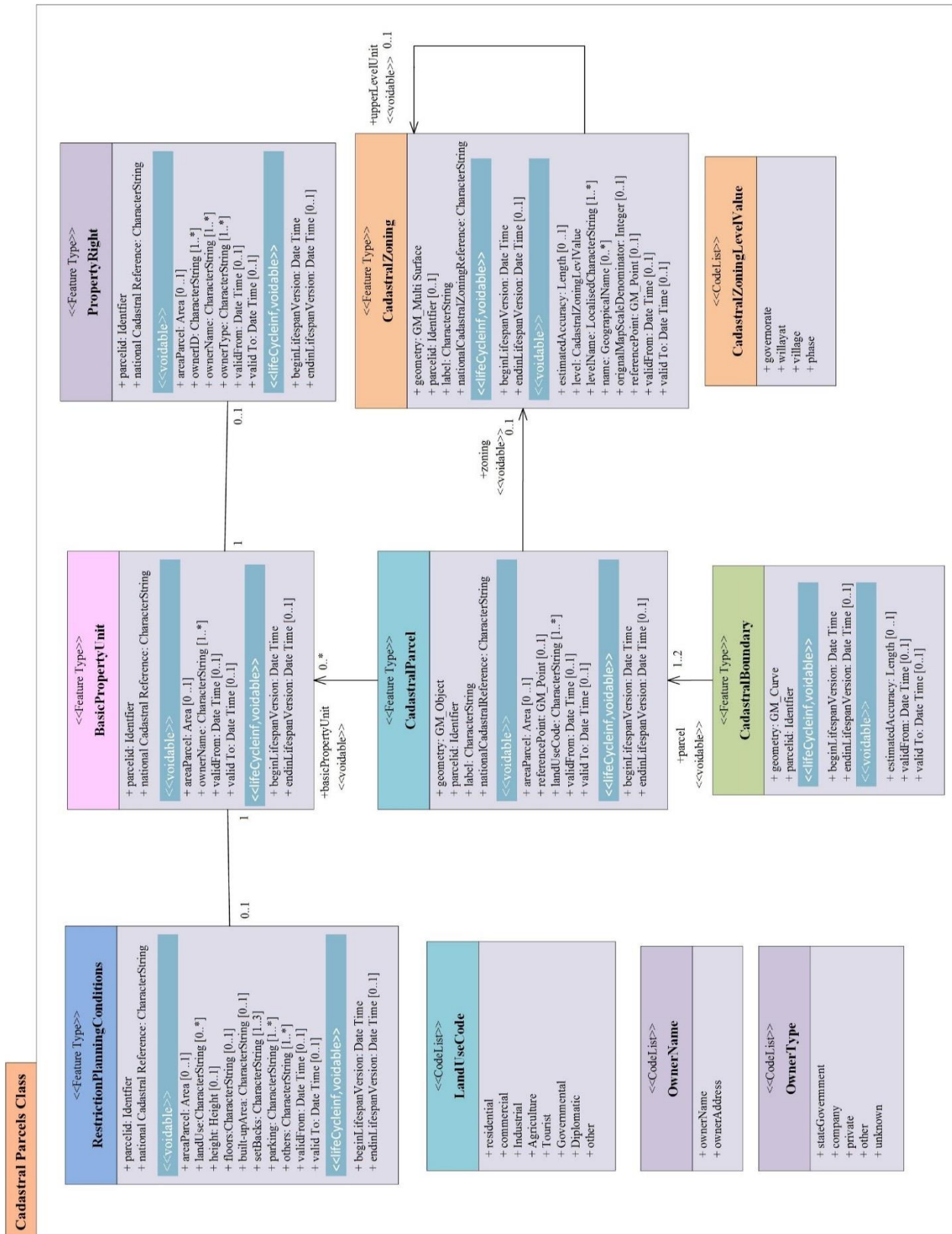


Figure 8 UML class diagram of the Cadastral Parcels revised model application schema

The Development of a Prototype SDI Compliant 2D Cadastral Parcels Model to Produce a Cadastral Dataset for Oman (8568)

Salim Khamis Al Najashi (Oman)

FIG Working Week 2017

Surveying the world of tomorrow - From digitalisation to augmented reality

Helsinki, Finland, May 29–June 2, 2017

The newly- developed 2D cadastral parcels main four feature type classes (CadastralParcel, BasicPropertyUnit, CadastralBoundary, CadastralZoning) are all relevant to LADM and can be used for ONDSI cadastral parcels as shown in Figure 9 (EC INSPIRE, 2014).

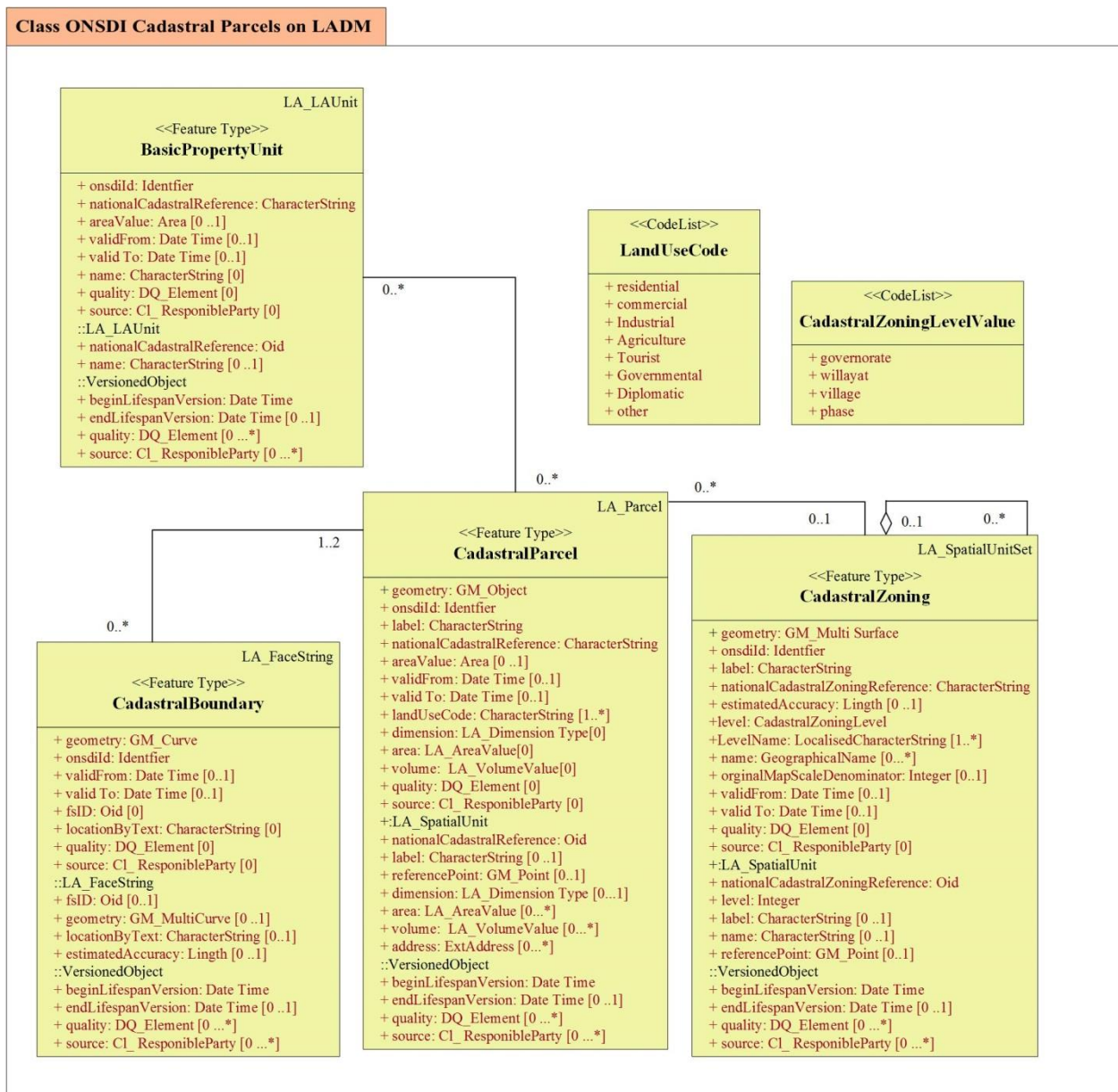


Figure 9 The ONDSI proposed cadastral parcels model derived from ISO LADM

#### 4. CONCLUSIONS

The results obtained from the standard practices of INSPIRE and FGDC and the cadaster features attribute tables from the Ministry of Housing, contributed towards the development of a 2D cadastral parcels model for Oman. The proposed model includes the Ministry of Housing cadaster The Development of a Prototype SDI Compliant 2D Cadastral Parcels Model to Produce a Cadastral Dataset for Oman (8568)

Salim Khamis Al Najashi (Oman)

FIG Working Week 2017

Surveying the world of tomorrow - From digitalisation to augmented reality

Helsinki, Finland, May 29–June 2, 2017

features attribute tables and is compliant as far as possible with SDI requirements at a national level. The model is in line with ISO 19152 LADM.

To utilize the new 2D cadastral parcels model, the Ministry of Housing and National Centre for Statistics & Information (NCSI) can discuss the possibility of using the model to generate a Digital Cadastral Database (DCDB) with the National Survey Authority (NSA). The latest high-resolution survey aerial photos can be used to produce DCDB. The captured cadastral parcel feature objects (points, lines and polygons) can then be checked and updated against the Ministry of Housing cadastral mapping (digitizing) and survey data to correct boundary deficiencies before the final issue of the cadastral geo-database. This process will create accurate data for the cadastral parcels at a national level.

Other regional and local authorities in Oman, such as municipalities and electricity and water utility companies can also avail of this model in future when they develop their land management services' framework. It is expected that part of the data model will be modified during testing and the data gathering approach will be used to populate the DB (e.g. the imagery and digitizing) to suit the fulfil the requirements of different authorities.

## REFERENCES

- Acinelli, A (2014) Towards the 3D Registration of Property Titles in Ireland-The Land Administration Domain Model and the design of an initial Country Profile for the PRA of Ireland. MSc Spatial Information Sciences Thesis, DIT.
- EC INSPIRE (2014) D2.8.I.6 Data Specification on Cadastral Parcels – Technical Guidelines. [Online] Available: [http://inspire.ec.europa.eu/documents/Data\\_Specifications/INSPIRE\\_DataSpecification\\_CP\\_v3.1.pdf](http://inspire.ec.europa.eu/documents/Data_Specifications/INSPIRE_DataSpecification_CP_v3.1.pdf) [Accessed 11 June 2015]
- FGDC (2008) Geographic Information Framework Data Content Standard – Part 1: Cadastral [Online] Available: [https://www.fgdc.gov/standards/projects/FGDC-standards-projects/framework-data-standard/GI\\_FrameworkDataStandard\\_Part1\\_Cadastral.pdf](https://www.fgdc.gov/standards/projects/FGDC-standards-projects/framework-data-standard/GI_FrameworkDataStandard_Part1_Cadastral.pdf) [Accessed 14 June 2015]
- FGDC (2012) Geographic Cadastral NSDI Reference Document [Online] Available: <http://nationalcad.org/download/CadastralNSDIReferenceDocument.pdf> [Accessed 14 June 2015]
- ISO (2012) ISO 19152 Geographic Information – Land Administration Domain Model. Geneva, Switzerland.
- Lemmen, C., Van Oosterom, P. Thompson, R., Hespanha, J. & Uitermark H. (2010) 'The Modelling of Spatial Units (Parcels) in the Land Administration Domain Model (LADM)'. FIG Congress 2010.128 Sydney, Australia. [Online] Available: [http://www.fig.net/pub/fig2010/papers/ts04k/ts04k\\_lemmen\\_vanoosterom\\_et\\_al\\_4214.pdf](http://www.fig.net/pub/fig2010/papers/ts04k/ts04k_lemmen_vanoosterom_et_al_4214.pdf) [Accessed 8 January 2017]
- Ministry of Legal Affairs (2015) Royal Decrees. [Online] Available: <http://www.mola.gov.om/eng/> [Accessed 01 July 2015]
- 
- NCSI, Oman (2015). "Ministerial design no. 152/2015". NCSI, Muscat  
The Development of a Prototype SDI Compliant 2D Cadastral Parcels Model to Produce a Cadastral Dataset for Oman (8568)  
Salim Khamis Al Najashi (Oman)

FIG Working Week 2017

Surveying the world of tomorrow - From digitalisation to augmented reality  
Helsinki, Finland, May 29–June 2, 2017

O'Brien, D, Prendergast, P (2011) 'To Gauge an Understanding of How Boundaries are perceived in Ireland by Landowners', paper presented to FIG Working Week 2011, Marrakech, Morocco, 18-22 May. [Online] Available:

[https://www.fig.net/resources/proceedings/fig\\_proceedings/fig2011/ppt/ts01j/ts01j\\_obrien\\_4812\\_ppt.pdf](https://www.fig.net/resources/proceedings/fig_proceedings/fig2011/ppt/ts01j/ts01j_obrien_4812_ppt.pdf)  
& <http://arrow.dit.ie/cgi/viewcontent.cgi?article=1002&context=beschspcon>

[Accessed 8 January 2017]

Press, B (1997) Development of a GIS Prototype for Base Map and Land Records Maintenance in Oman, California, paper presented to Esri International User Conference, San Diego, California, USA, 8-11 July. [Online] Available:

<http://proceedings.esri.com/library/userconf/proc97/proc97/to650/pap645/p645.htm>

[Accessed 13 August 2015]

## **BIOGRAPHICAL NOTES**

Salim Al Najashi is the SO1 Geospatial Database Infrastructure at the National Survey Authority (NSA) - Sultanate of Oman. He graduated with an MSc in Geographic Information Science from the School of Surveying and Construction Management in the Dublin Institute of Technology in 2015. Salim has worked at the (NSA) as a Photo Archive Officer in the period from 1994 until 2014, and he has been promoted to the SO1 Geospatial Database Infrastructure in 2015.

## **CONTACTS**

Salim Al Najashi MSc. Geographic Information Science

National Survey Authority

P.O Box 113, P.C 100

Muscat

SULTANATE OF OMAN

Tel. +96824312736

Fax + 96824312443

Email: [nsaom@omantel.net.om](mailto:nsaom@omantel.net.om) / [nssur50@hotmail.com](mailto:nssur50@hotmail.com)

Web site:[www.nsaom.org.om](http://www.nsaom.org.om)

---

The Development of a Prototype SDI Compliant 2D Cadastral Parcels Model to Produce a Cadastral Dataset for Oman  
(8568)

Salim Khamis Al Najashi (Oman)

FIG Working Week 2017

Surveying the world of tomorrow - From digitalisation to augmented reality

Helsinki, Finland, May 29–June 2, 2017